

ELUX4 / ELUX8 / ELUX16

4 / 8 / 16 CH, H.264, 1080p Hybrid DVR



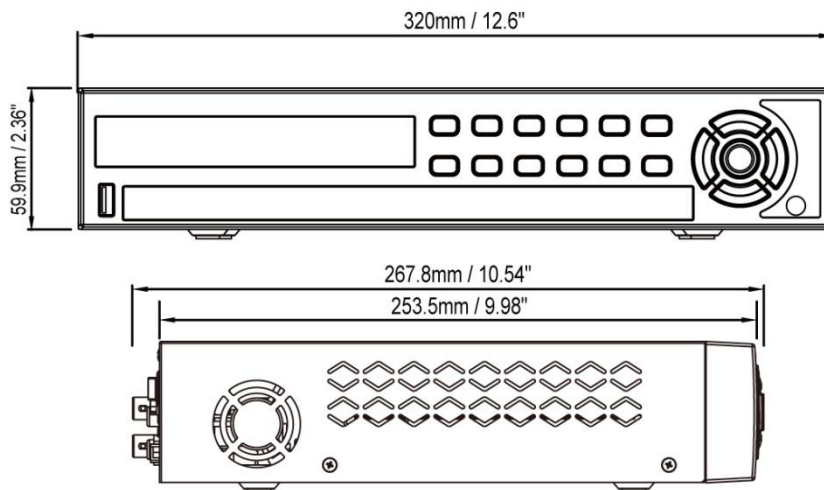
eZ.HD



Features

- Megapixel resolution over standard coaxial / UTP (Unshielded Twisted Pair) cable
- eZ upgrade to Full HD resolution
- Supports hybrid cameras (CVI and HD-SDI cameras are not supported)
- Supports 1080p, 720p, 960H or D1 simultaneous video inputs
- H.264 compression format for enhancing recording capacity and improving network image transmission speed
- eZ Controller function: Control camera OSD settings and PTZ operation directly from DVR end
- Multiple Monitors: Separately configure main and call monitor outputs
- High bandwidth recording with reduced bandwidth stream for mobile or multiplexed viewing applications.
- Supports live monitoring and playback of video from mobile devices via MobileFocus (Plus) / MobileFocusHD (Plus) Apps.
- Multiple Control Inputs: mouse / front panel / IR remote controller
- Remote configuration supports from built-in web interface
- Ethernet interface for remote network viewing and control
- eZ Hopper function: Only one mouse to control up to 16 connected EverFocus DVRs / NVRs
- Supports radio-controlled clock for time synchronization
- Integration with Genie XMS CMS
- Multi-language support

Dimensions



Accessory

EKB200

USB controller keyboard

Connect to the PC or DVR to control the PTZ cameras connected to the DVR



EKB500

RS-485 keyboard

Connect to the RS-485 port to control the PTZ cameras connected to the DVR



Specification

Model Name	ELUX16	ELUX8	ELUX4	
System				
Operating System	Embedded Linux			
Number of Channels	16CH	8CH	4CH	
RAM	2GB	1GB	512MB	
Watchdog	Yes			
Dual Stream	Yes			
OSD Menu	Yes			
System Control	Front Panel Buttons, Mouse, IR Remote Control			
Pentaplex Operation	Simultaneous Live, Recording, Playback, Archive and Remote Viewing			
PTZ Protocol Supported	EverFocus, Pelco D, Pelco P, Samsung, Transparent			
Video				
Compression Format	H.264			
Video Format	NTSC / PAL			
Video Inputs	16 x BNC	8 x BNC	4 x BNC	
Video Looping Output (Optional)	16 (Optional)	8 (Optional)	4 (Optional)	
Video outputs	Main	HDMI and VGA		
	Call	BNC		
Recording				
Recording Rate / Resolution	NTSC	240fps @ 1080p; 480fps @ other res.	120fps @ 1080p; 240fps @ other res.	60fps @ 1080p; 120fps @ other res.
	PAL	200fps @ 1080p; 400fps @ other res.	100fps @ 1080p; 200fps @ other res.	50fps @ 1080p; 100fps @ other res.
Recording Modes	Manual, Schedule and Event			
Playback				
Playback Rate / Resolution	NTSC	240fps @1080p; 480fps @ other res.	120fps @1080p; 240fps @ other res.	60fps @1080p; 120fps @ other res.
	PAL	200fps @1080p 400fps @ other res.	100fps @1080p 200fps @ other res.	50fps @1080p 100fps @ other res.
Search Modes	Date / Time, Event, Motion in Recorded Video, Snapshot by Interval			
Audio				
Audio Inputs	16 inputs	8 inputs	4 inputs	
Audio Output	1 output			
Alarm				
Alarm Inputs	4 inputs			
Alarm Outputs	1 x relay			
Storage Device				
Internal 3.5" HDD	2 x SATA HDD (Optional)		1 x SATA HDD (Optional)	
Storage Capacity	8 TB		4 TB	

Model Name	ELUX16	ELUX8	ELUX4
Network			
Ethernet	10/100/1000 Ethernet	10/100 Ethernet	
Protocol	TCP-IP / DHCP / PPPoE / DDNS / SMTP / NTP		
Interface			
USB 2.0	2 x USB 2.0 port (1 on Front Panel, 1 on Back Panel)		
RS-485	2 pin terminal connector		
Ethernet	1 x RJ-45		
General			
Power Input	12VDC / 5A	12VDC / 5A	12VDC / 5A
Power Consumption	60W max.	60W max.	60W max.
Operating Temperature	0°C ~ 40°C / 32°F ~ 104°F (20 ~ 80% humidity)		
Dimensions (W x D x H)	320 x 267.8 x 59.9mm / 12.6" x 10.54" x 2.36"		
Weight (without HDDs)	3.14kg / 6.92lb		2.36kg / 5.2lb
Language	English, Japanese, Traditional Chinese, Spanish, Deutsch, French, Russian, Portuguese (Brazil), Dutch, Simplified Chinese		
Regulatory	CE, FCC, UL		
Functions			
Video Pause	Yes		
Video Loss Detection	Yes		
Motion Detection	Yes		
Event Log	Yes		
User Interface	GUI (Graphical User Interface)		
Control PTZ via OSD	Yes (via both local and remote interfaces)		
Schedule Setting	Supports Express and Advanced Schedule Setting		
User Access	3 Levels of User Access Defined		
Remote Client System Minimum Requirement			
Operating System	Windows XP (32-bit) / Win7 (32 and 64-bit)		
CPU	Intel Core I3-2100		
RAM	2GB		
VGA	Intel HD 2000		
LAN Speed	10 / 100 / 1000 Mbps (RJ45)		
Web Browser	IE11 and later, Firefox 50 and earlier, Chrome 44 and earlier, EF browser		
Other Remote Application	1. EverFocus' CMS: Genie XMS 2. EverFocus' mobile app: MobileFocus (iOS and Android); MobileFocusHD (iPad)		

Find Out More At:

EverFocus Taiwan HQ:

TEL: +886 2 2698 2334

www.everfocus.com.tw

marketing@everfocus.com.tw

EverFocus USA - California:

TEL: +1 626 844 8888

www.everfocus.com

sales@everfocus.com

International Branch Offices:

Germany, China, Japan

